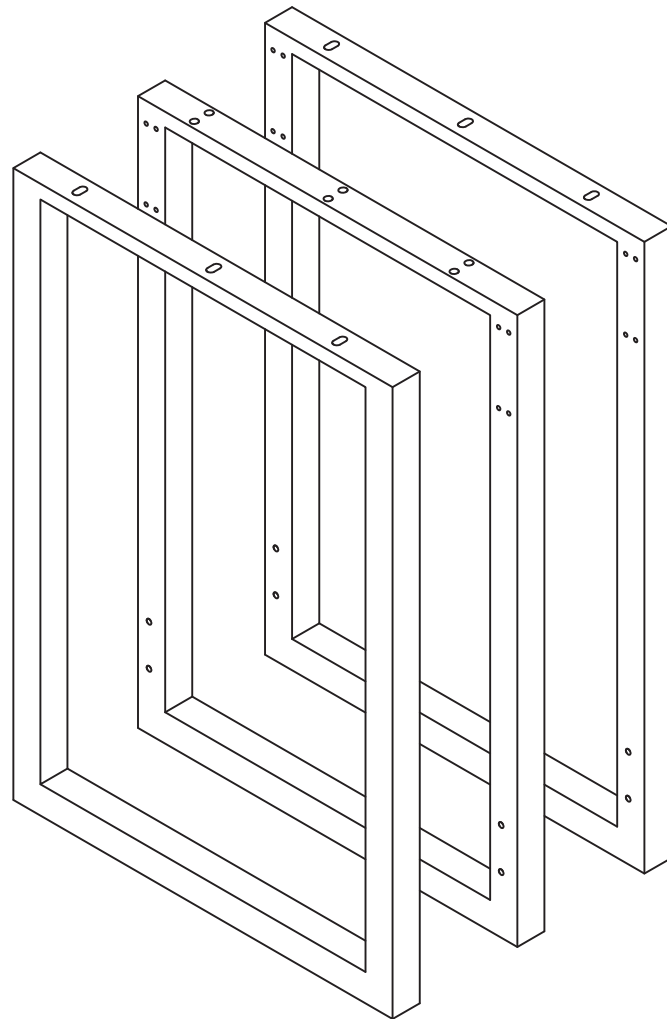



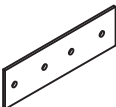

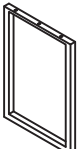
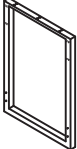



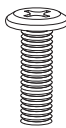

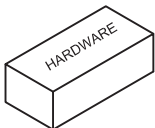
Mirella Series  
Leg Kit for Standing Conference Tables  
Model No. MRCBH3



For questions or concerns, please call 1-888-971-6225 available  
Monday-Friday 7:30 AM to 5:00 PM (Central Time)  
(English-speaking operators)

# PARTS LIST

Name	Part	Qty.	Spare Qty
A	 HB 100*100*38*4mm	4	
B	 HB 200*38*4mm	2	
C	 HB M4*14mm	24	2
D	 End Leg	2	
E	 Middle Leg	1	

Name	Part	Qty.	Spare Qty
F	 HB M6*15mm	32	1
G	 HB M6*35mm	22	1
H	 HB M4.2*16mm	16	1
	 MRCBH3HB		

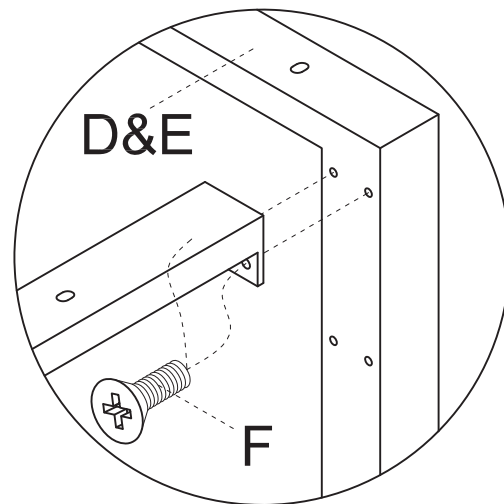
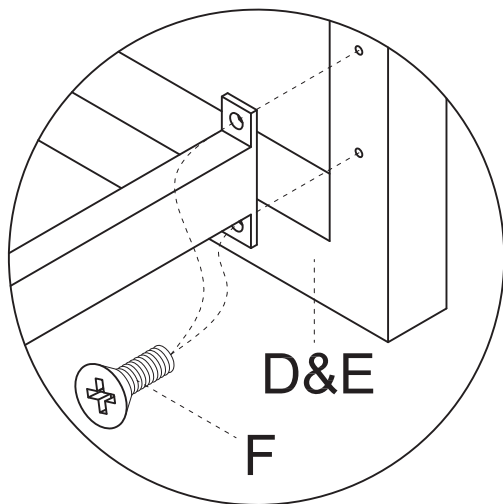
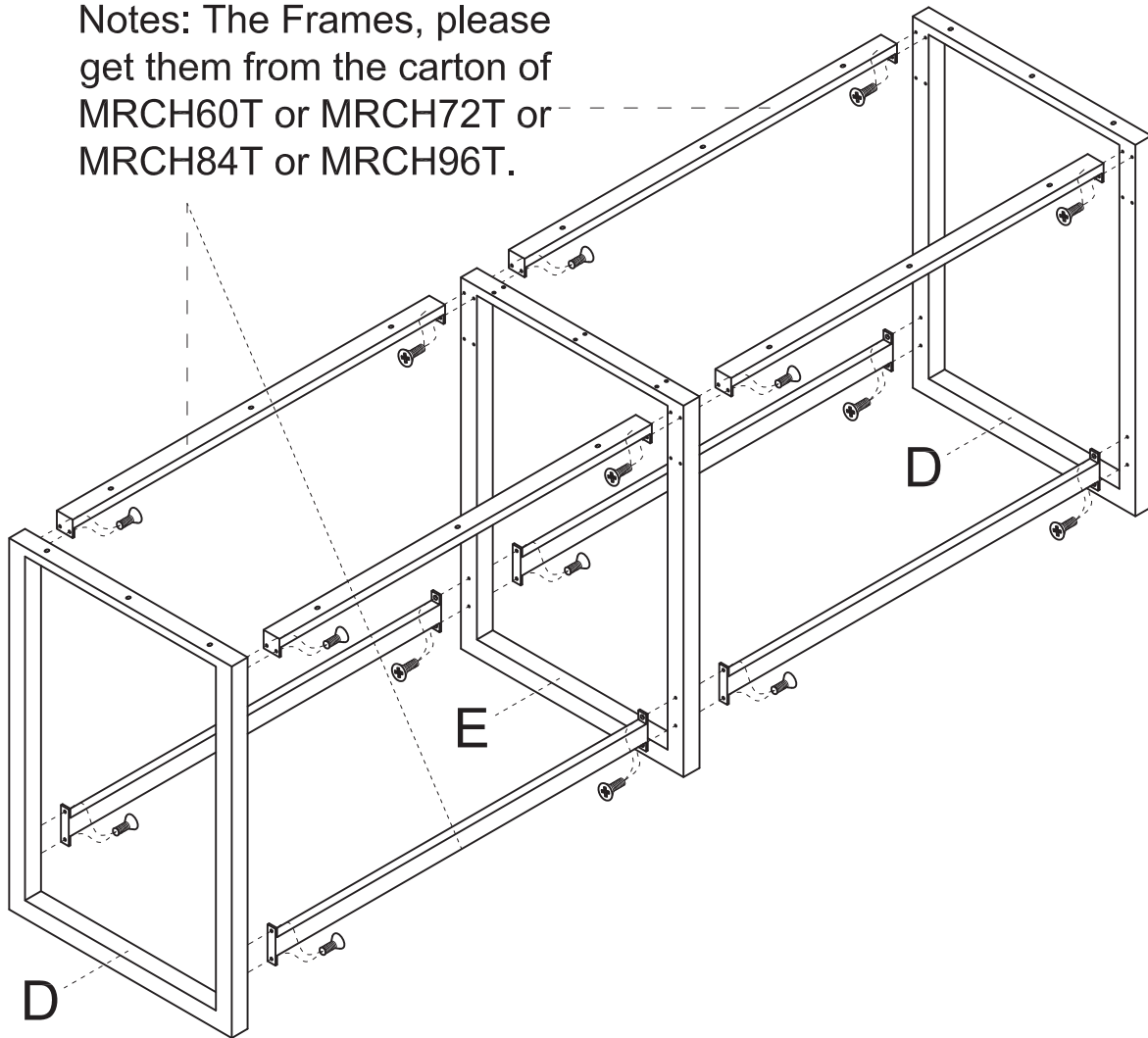
Items with HB are in hardware box

## IMPORTANT!

**Review ALL instructions before beginning assembly.** These instructions are provided to avoid problems that may occur from improper assembly or installation. SAFCO and/or its distributor are not responsible for failure resulting from improper assembly or installation of this product. Moreover, all warranties are void for failure to follow these assembly instructions.

- 1** Use the Screw (F) to connect the Legs (D&E) and the Frame together;

Notes: The Frames, please get them from the carton of MRCH60T or MRCH72T or MRCH84T or MRCH96T.



- 2** Assemble the other Panels, Please refer to the AI of MRCH60T & MRCH72T & MRCH84T & MRCH96T.

